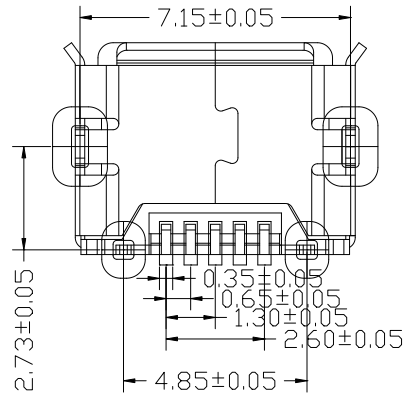
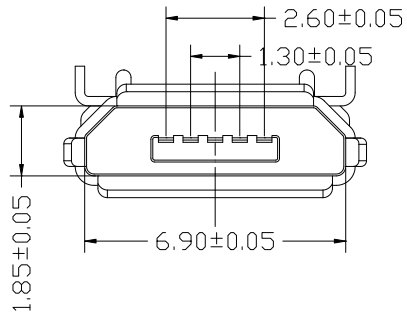
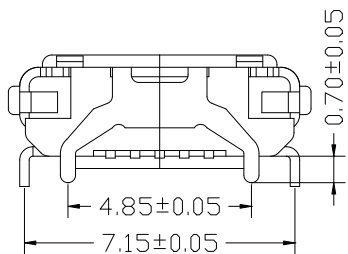
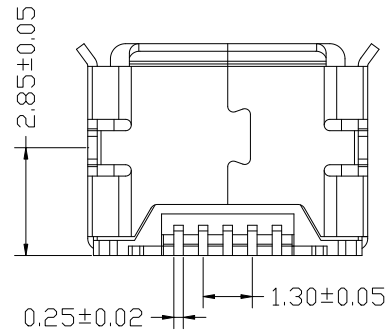
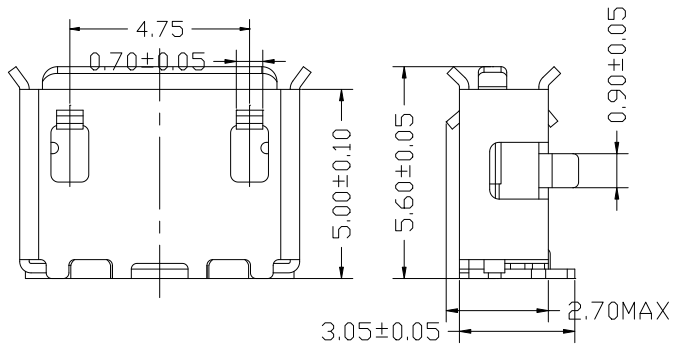


文件类型: 产品图面

REV.	ECN NO.	DESCRIPTION	DRWN	APPD.	DATE.



**RECOMMENDED PCB LAYOUT**



**Specifications:**

**Electrical:**

- Current Rating  
1.0A/contact terminal
- Voltage Rating  
30V DC
- Contact Resistance  
50 milliohms MAX
- Dielectric Withstanding Voltage:  
300 V AC AT Sea Level
- Insulation Resistance:  
100MEGA ohms MIN

**Mechanical:**

- Connector Mate and Unmate Force  
Mate force: 3.0kgf (MAX)  
Unmate force: 0.7kgf (MIN)
- Terminal Retention  
0.5kgf (MIN)

**Material:**

- Housing:  
High Temperature Thermoplastics,  
UL 94V-0 LCP Black
- Contact: Copper Alloy C5191
- Shell: Copper Alloy C2680

**Finish:**

- Contact: Plated Gold in Mating Area;  
Tin On Solder Tails
- Shell:  
Nickel Plating

UNITS MM	SCALE 1:1	<b>深圳市鑫南天科技有限公司</b>			
		Shen zhen Shi Xin Nan Tian Industrial Co., Ltd			
<b>GENERAL TOLERANCE</b> X. ±0.30 X.X ±0.20 X.XX ±0.10 X.° ±3° X.X° ±2°		DR. Aaron	TITLE: MICRO 5PF B-DIP7.15牛角型成品		
		CHK. Aaron	MAT'L:	DWG NO: JYMIC-1L	
		APPD. PANYUFENG	DATE: 2011.06.28	P	PART NO: SIZE A4

1 2 3 4 5 6